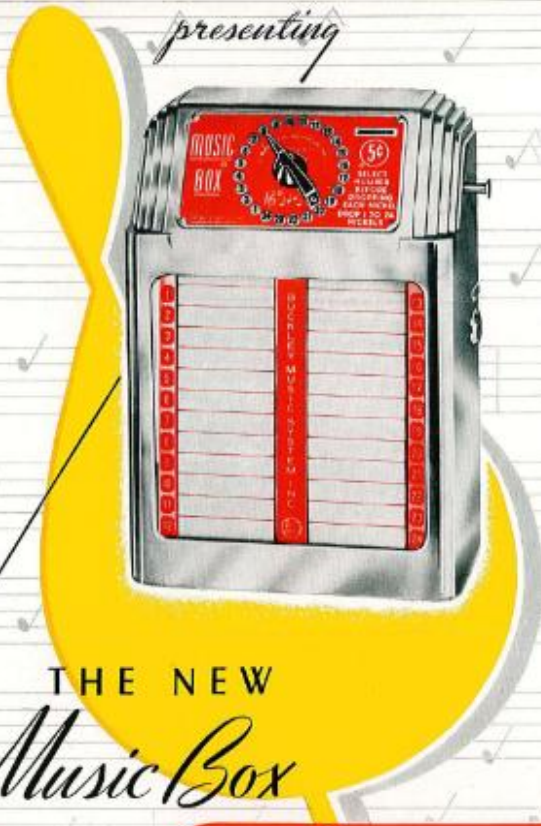


presenting



THE NEW
Music Box

by *Buckley*

BUCKLEY MANUFACTURING COMPANY 4223 W. Lake St., Chicago

Buckley Music System, Inc.

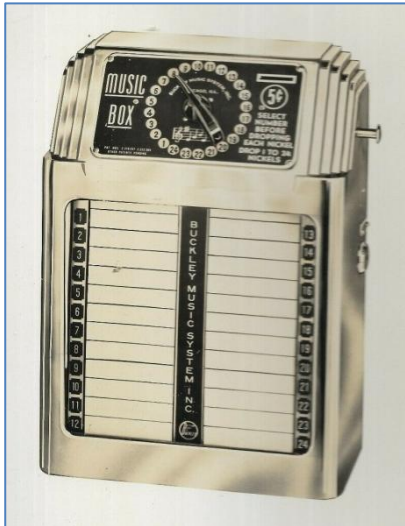


Patrick J. Buckley above the hideaway cabinet, below the ceiling speaker.

The Buckley Music System Inc. at 4223 West Lake Street was established in 1939 as an affiliation of the Buckley Manufacturing Co. at 2156 West Washington Boulevard, Chicago, founded in 1929 by Patrick J. Buckley supported by his older brother Hubert G. Buckley, who later became a coin machine operator in Reno for several years. The Buckley Manufacturing Co. was active until late in the 1950s, when federal laws to regulate interstate shipment of slot machines were implemented by company raids, and among others also Buckley had to stop production of mechanical coin operated gambling machines. More than sixty different slot machines and pin tables were made with the Buckley name plate between 1929 and 1958.

The Buckley Music System was active as a separate affiliation from the autumn 1939 and used mainly mechanics and record changers from other major manufacturers in the field. However, the remote selector units and speakers were developed, designed, and patented by the engineer Earle Gray Henry, and at least fourteen patents related to the music system are known. The main units, which were steel cabinets containing Twin-12 or Twin-24 record changers from Wurlitzer (Simplex), or Daily (Double-Track), were sold as 30-wire Hideaways with a set of Buckley "Music Box" remote controls, nicknamed "Buck", and usually one big Lite-Up "Zephyr" wall speaker. Smaller wall speakers were of course available, and the Lite-Up remote units could

over the years be delivered in chrome, gold, or different colours with or without red or yellow side plastics. It is known that a nice ceiling speaker was made, but size and colour is unfortunately not known.



“Music Box”



“Wall Speaker”

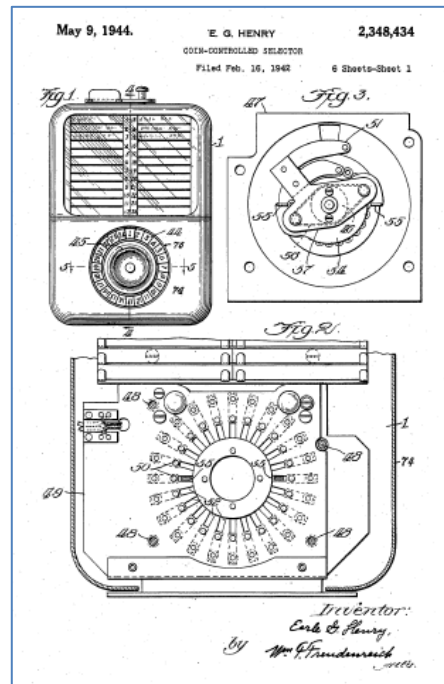
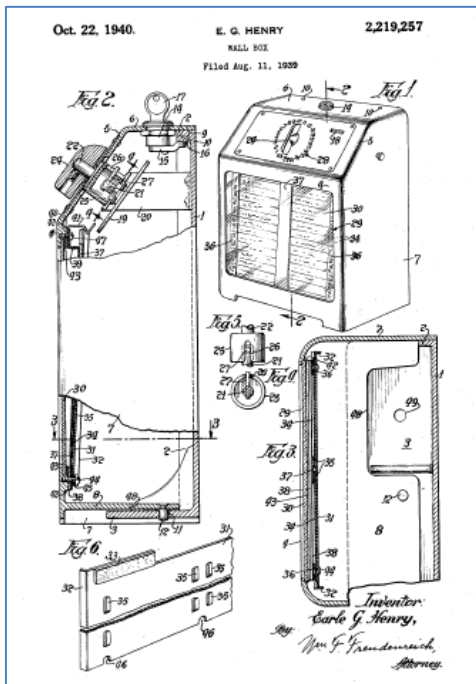
Patrick Joseph Buckley, born 1st March 1903, was married to Marian S. Reynolds on the 1st June, 1940, but later divorced, and he was apparently involved in plastic mould fabrications for several years after his efforts with production of coin machines. Patrick J. Buckley died aged 88 in West Palm Beach in Florida on the 27th April 1991, and was then interred at the Oakridge Cemetery in Hillside, Illinois. His brother Hubert G. Buckley, born 8th March 1899, was as mentioned an amusement machine operator for many years in Reno, and he died aged 97 in Bullhead City in Arizona on the 16th July 1996, and was then interred at the Desert Lawn Memorial Gardens in Mohave Valley, Arizona.

Almind/Nov-23



BUCKLEY MUSIC SYSTEM, Inc.
 4223 WEST LAKE STREET CHICAGO, ILLINOIS
 INVENTORS, DESIGNERS AND MANUFACTURERS OF THE ORIGINAL WALL AND BAR BOX
 *
 "Looking Forward to the day when we will serve you again!"





Patents by Earle Gray Henry (1889-1984) for Buckley Music Boxes.

--- 0 ---



Photo showing the "Buck" remote controls on location in luncheonette.
(Jack's Sandwich Shop, San Francisco, ca. 1941)

BUCKLEY MANUFACTURING CO.
2156 W. WASHINGTON BLVD. • CHICAGO, ILLINOIS



Slot machines removed from the Buckley factory in March 1958.